

# catrax

*clip*



---

Catrax Clip was specifically designed for disabled people. It has an innovative design and was manufactured in a smaller size to enable quicker and easier passage. This model is ergonomic, practical and safe. In addition, the turnstile pedestal was designed to withstand the impact produced by wheel chairs.

---



### ERGONOMICS AND PRACTICALITY

The horizontal, bidirectional movement of the arm allows patrons to pass smoothly through the turnstile.

### DESIGN AND SAFETY

The Catrax Clip column has rounded corners and plenty of internal space. As access is gained by a key lock, there are no exposed screws.

### CUSTOMIZED PRODUCTS

The top panel of Catrax Clip is manufactured in high impact engineering plastic and is available in black, Bordeaux red and green (special colors can be optionally supplied). On top of that, the stainless steel cover can be customized with the customer's own brand identity.

### ACCESS PERMISSION

Catrax Clip can be configured with pictograms to inform access permission.

### MECHANICAL PRECISION

The double-bearing structure prolongs equipment life and guarantees excellent performance.

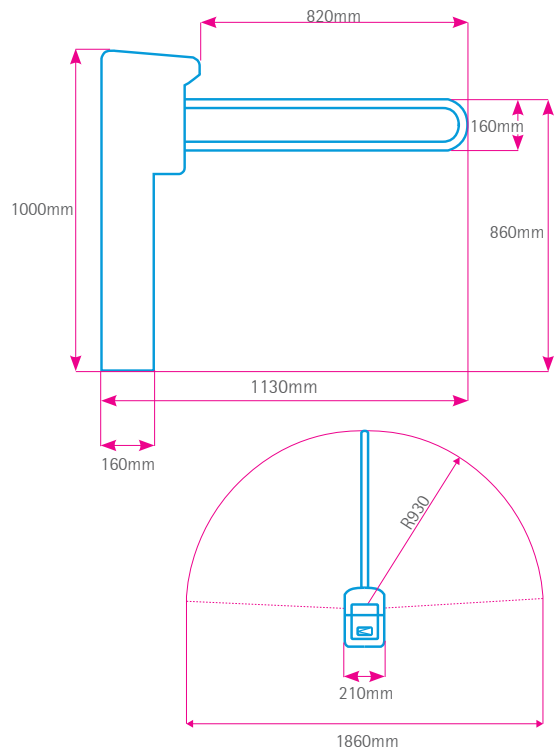
### EASILY MOUNTED AND MAINTAINED

Catrax Clip comes with a U-shaped mounting drawer that can be easily removed or replaced on the front part of the column, by means of a key lock.



Catrax Clip installed at the Roman Forum, Rome, Italy.

### DIMENSIONS



Dimensions may vary up to 10mm.

HEADQUARTERS: Rua Nissin Castiel, 640 94045-420 • Gravataí • RS • Brazil Phone: +55 (51) 3489.8793 OFFICE: Rua São Paulo, 82 • Alphaville 06465-130 • Barueri • SP • Brazil e-mail: sales@digicon.com.br www.digicon.com.br



digicon.com.br

**digicon**  
Always on the move.



DIGICON reserves the right to modify without notice the characteristics of these equipments.

+DI.048.03-Nov/14